

## 1.0 INTRODUCTION

1.1 These instructions cover installation and replacement parts for the 12.5" x 19.5" field retrofit, quick-change cabinet window, Stock No. 23038.

### 1.2 Tools required:

- Drill motor and 1/4" drill bit
- Silicone caulking and caulking gun
- Medium screwdriver
- Two 7/16" wrenches or two small adjustable wrenches
- 3/8" wrench or small adjustable wrench

## 2.0 REMOVE EXISTING WINDOW

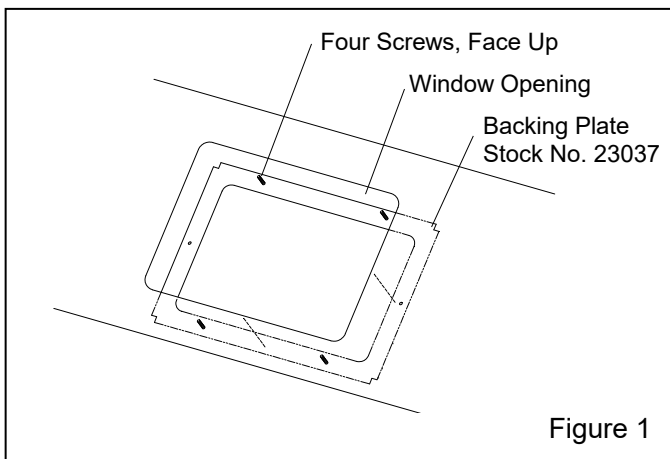
2.1 Remove the filler strip from the window molding. Reach through a glove or door opening and from inside the cabinet, push out the bottom edge of the window, to remove it from the outside. Remove the window molding.

2.2 If the window is in good condition, save it for reuse.

2.3 Temporarily remove the light-shield assembly, by removing the three machine screws from the light shield hinge, and move the light assembly out of the way.

## 3.0 INSTALL BACKING PLATE

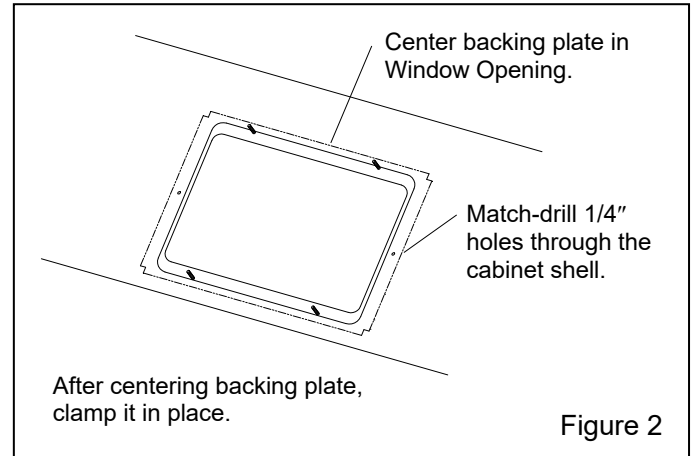
3.1 Working from inside the cabinet, place the backing plate against the inside of the cabinet as shown in Figure 1.



3.2 Center the backing plate to the window opening, as shown in Figure 2. Make sure the top and bottom screws are equal distance from the top and bottom of the window opening, and that the side

screw holes are equal distance from the side of the opening.

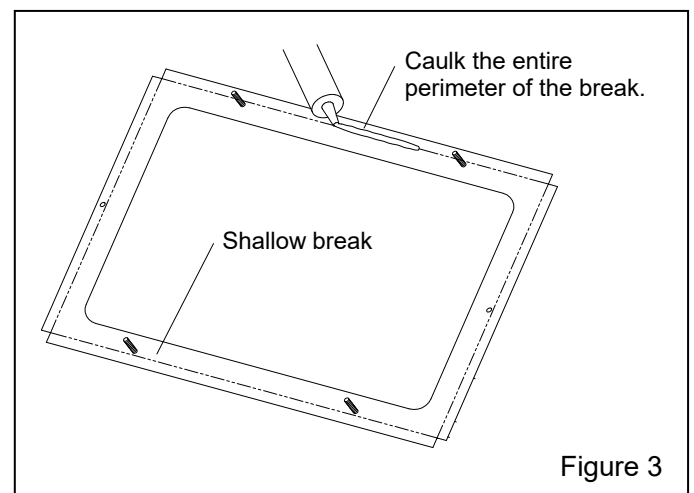
3.3 After centering the backing plate, temporarily clamp it to prevent movement.



3.4 From inside the cabinet, match-drill 1/4" holes through the cabinet shell at the backing plate's two side holes.

3.5 After both side holes are match-drilled, remove the clamps, and remove the backing plate.

3.6 Lay a bead of caulking over the break (bend) in the backing plate as shown in Figure 3. The caulking must cover the entire perimeter of the plate.



3.7 Hand-tighten the two cap screws, flat washers, and nuts, as shown in Figure 4.

3.8 Hand tighten the four plastic window frame nuts and flat washers, as shown.

**3.9** Uniformly tighten all fasteners to evenly compress the backing plate flatly to the cabinet.

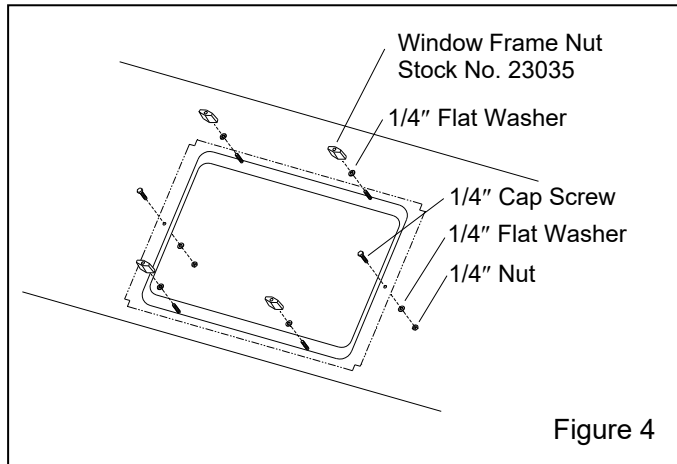


Figure 4

**3.10** Wipe the excess caulking from inside the cabinet and from the top of the backing plate. It is important that the top of the backing plate be free of all foreign material that may prevent the gasket from adhering.

**3.11** Allow time for the caulking to cure, preferably overnight, before removing the four knobs and washers. The washers may be discarded.

**4.0 INSTALL STRIP GASKETS**

**4.1** Trim and otherwise remove any caulking material from the top surface of the backing plate.

**4.2** Ensure that the surface is free of oil silicone or other materials that will interfere with the adhesion of the adhesive backed, strip gasket.

**4.3** Peel a short section of gasket backing from the 5/16" x 3/4" strip gasket, and adhere the gasket to the center top edge of the backing plate opening as shown in Figure 5. Peel additional backing as needed, and work the strip around the radius of each corner, pressing it tightly to bond. Trim the gasket to fit, and compress the ends to seal.

**4.4** Repeat the process on the window frame, using 3/16" x 1" strip gasket.

**4.5** Trim around the window frame bolts holes, as needed.

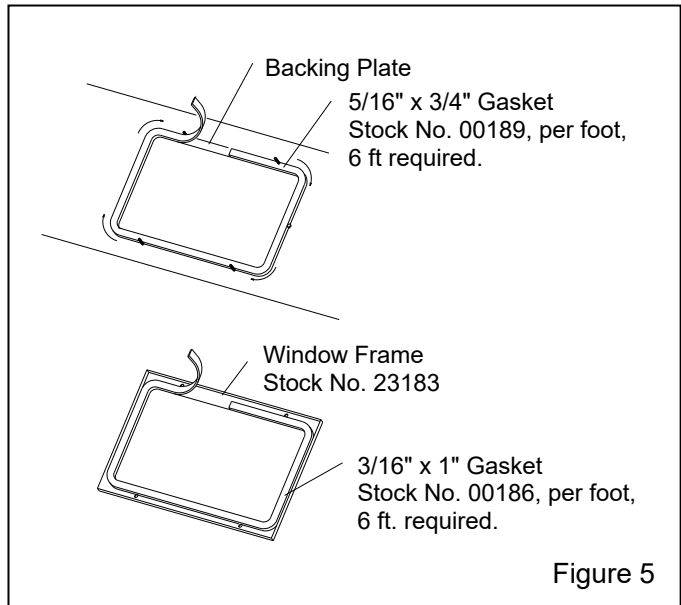


Figure 5

**5.0 INSTALL WINDOW AND FRAME**

**5.1** Set the window squarely over the window opening, ensuring that all edges of the window are centered and overlapping the window gasket, and resting on the lower mounting screws.

**5.2** Place the window frame over the glass and secure it with four plastic window frame nuts.

**6.0 ATTACH LIGHT SHIELD**

**6.1** Using the hardware provided, reattach the light-shield to the cabinet, as shown in Figure 6.

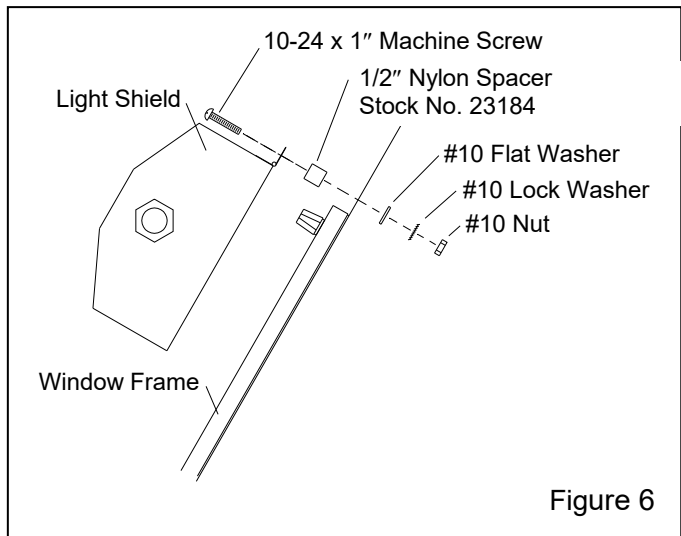


Figure 6