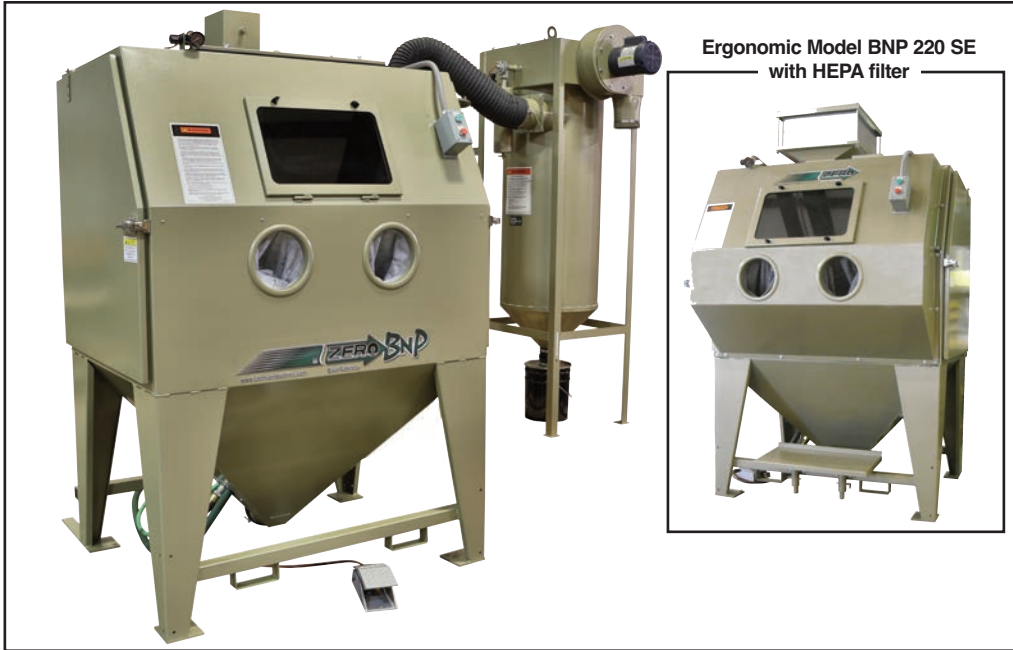




BNP 220 Suction Blast Cabinet



**Clean
Peen
Deburr
Finish**



Model BNP 220S CDC-1 Dust Collector

BNP blast cabinets deliver efficient, affordable media blasting to clean, peen, deburr, or finish parts. Available in conventional and ergonomic sit-down styles.

Common Applications

- Remove rust, mill scale, heat scale, and carbon buildup from metals
- Strip paint, powder coating, plating, and anodizing from parts for rework
- Eliminate burrs, parting lines, flashings, and other defects from castings and injection-molded parts
- Extract residual sand from castings
- Beautify steel, stainless steel, aluminum, brass and other metals with a uniform matte finish
- Etch artwork and lettering into glass, stone, plastics, metal and other materials
- Clean release agents and material buildup from molds

BNP 220 Cabinets Feature: Safety

- ✓ Full-length, neoprene-on-fabric gloves resist wear and protect operator.
- ✓ Ceiling-mounted, two-tube fluorescent light fixture with abrasive resistant Lexan® cover for extraordinary visibility.
- ✓ Safety interlocks interrupt blasting if either door is opened.
- ✓ Adjustable, heavy-duty chromed latches seal doors tight through years of service.

Productivity

- ✓ Unique Air-Logic system (pilot-actuated) to maximize air flow to the blast gun.
- ✓ Double-wall, sound-insulated doors, with industrial-quality lift-off hinges.
- ✓ 14-gauge steel all-welded construction, with precisely formed bends, forms a rigid, long-lasting cabinet shell.

Convenience

- ✓ Tilt-out window, for tool-free glass changes in minutes.
- ✓ Pressure regulator, gauge, and electric switch mounted within easy reach.
- ✓ Built-in blow-off gun helps keep dust inside the cabinet, not on your floor.

BNP Blast Gun with Ceramic Nozzle

The BNP blast gun sets the industry standards for performance, versatility, and durability. The ergonomic grip reduces operator fatigue and increases productivity. The standard ceramic nozzle is perfect for bead blasting, while the optional tungsten or boron carbide nozzles stand up to hundreds of hours of blasting with today's aggressive abrasives.

Popular Accessories

- A-300 automation kit
- Adjustable gun mount
- Alox kit (for harsh media)
- Air-powered vertical lift door
- Anti-fatigue mat
- Arm rest assembly
- Curtains (black or white)
- HEPA filter
- Manometer kit
- Noise reduction arm port baffles
- Timed door release
- Two gallon tumble basket
- 20" & 30" dia. turntables with or without work car and 8 foot track extension

S P E C I F I C A T I O N S

COMPLETE SYSTEM

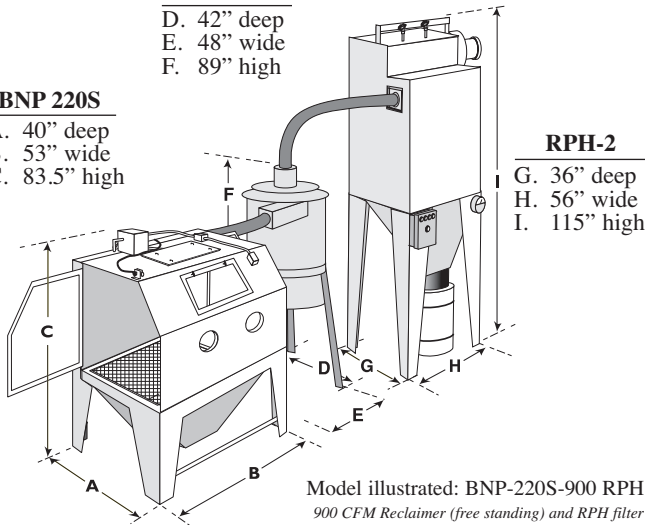
Space required depends on configurations, options and work flow. Allow space for operator and maintenance access. See maintenance access height (MAH) below.

900 cfm Reclaim

- D. 42" deep
- E. 48" wide
- F. 89" high

BNP 220S

- A. 40" deep
- B. 53" wide
- C. 83.5" high

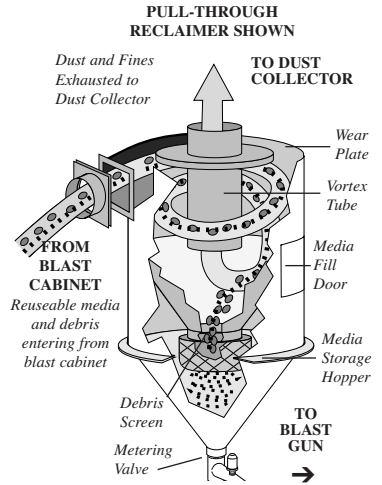


MEDIA RECLAIMERS

Our exclusive media reclaimers continuously extract dust and debris and return properly sized, usable media to the blast system. The standard reclaimer handles all non-metallic media. For metallic media specify reduced ID conveying hose.

The versatile design of our larger reclaimers lets you quickly adapt the system to your changing needs.

The suction blast metering valve is infinitely adjustable from fully-closed to wide open, and locks into any setting without tools.



METALLIC MEDIA

For steel media applications, the reclaimer, flex hose, and adaptors must be appropriately sized. Rubber curtains are recommended. "M" in cabinet model signifies cabinet is steel-ready (see below). Contact your local distributor for field conversion information.

CABINET

Working Chamber Size

- 50" wide (914 mm)
- 39" deep (889 mm)*
- 43" high (940 mm)
- *(for Ergo models add 12 inches to depth)*

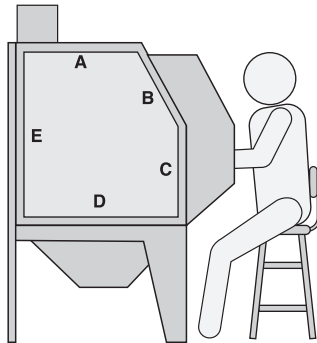
Window Size (safety glass)

- 19.5" wide (495 mm)
- 12.5" high (317 mm)

Door Dimensions

- A. 27" (686 mm)
- B. 20.5" (521 mm)
- C. 19.5" (495 mm)
- D. 36.5" (927 mm)
- E. 38" (965 mm)

Ergonomic Configuration



DUST COLLECTORS

ZERO RP dust collectors trap 99.7% of dust particles down to 0.5 micron.

CDC-1

CDC-1 dust collectors come in three sizes; 300 cfm, 600 cfm, and 900 cfm. The cartridges are pulse-cleaned by pressing the manual pulse-valve to clear the filter of dust. Dimensions are 34" wide, 42" deep (with motor housing) and 94" high. MAH is 11 ft for the 300 cfm and 600 cfm units and 12-1/2 ft for the 900 cfm unit.

RPC-2

The RPC-2 has two cartridges which provide 470 sq ft of filter area. The cartridges are automatically pulse-cleaned for maximum filter efficiency. Dimensions are: 56" wide (with motor housing) by 30" deep by 67.5" high. The MAH for the RPC-2 series is 8 ft 10 inches.

RPH-2

The RPH-2 has a filter area of 470 sq ft; the RPH-3 has a 705 sq ft filter area. Both have a built-in hopper to minimize dust-handling. At each pulse, dust falls first into the hopper and then into a disposal drum or bag beneath it. The operator never handles the dust—an important safety feature. RPH dust collector dimensions are: 56" wide (with motor housing) by 36" deep by 115" high. The RPH is designed to allow outdoor installation. The MAH for the RPH collectors is 15 ft 2 inch.

ISO 9001 certified. Clemco is committed to continuous product improvement. Specifications are subject to change without notice.

BNP BLAST GUN

AIR CONSUMPTION

BNP GUN	NOZZLE ORIFICE	AIR JET	CFM at 80 PSI	M ³ /Min at 5,5 BAR	MINIMUM RECLAIMER
No. 4	5/16"	1/8"	21	0,60	300 CFM (8,5 m ³ /m)
No. 5	5/16"	5/32"	32	0,90	300 CFM (8,5 m ³ /m)
No. 6	3/8"	3/16"	48	1,35	600 CFM (17 m ³ /m)
No. 7	7/16"	7/32"	62	1,76	600 CFM (17 m ³ /m)
No. 8	1/2"	1/4"	85	2,41	600 CFM (17 m ³ /m)

BNP 220 suction cabinets come with a No. 5 BNP gun with ceramic nozzle. Other sizes and liner materials are available.

ELECTRICAL

600 CFM (17 m³/m) 1HP, 115V, 1PH, 60HZ, (.75KW, 220V, 1PH, 50HZ)
 (600 CFM model also available with three phase motor. Specify 230 v or 460v)
 900 CFM (25 m³/m) 2HP, 220V, 3PH, 60HZ, (1.5KW, 220V, 3PH, 50HZ)

ORDERING INFORMATION

Model-Recl-D/C	Conv.		Ship Wt. lb (kg)	Ergo Single Phase	Ergo Three Phase	Ship Wt. lb (kg)
	Single Phase	Three Phase				
BNP-220S-600 CDC	28166	28167	1,025 (465)	28373	28374	1,025 (465)
BNP-220S-600 RPC	19958	19960	1,295 (587)	25031	25032	1,295 (587)
BNP-220S-600 RPH	24785	24798	1,870 (848)	25033	25063	1,870 (848)
BNP-220S-900 CDC		28168	1,155 (524)		28375	1,155 (524)
BNP-220S-900 RPC		19964	1,435 (651)		25037	1,435 (651)
BNP-220S-900 RPH		19965	2,010 (912)		25038	2,010 (912)
BNP-220SM-900 CDC	28416		1,396 (623)	28417		1,396 (233)

Distributed By: