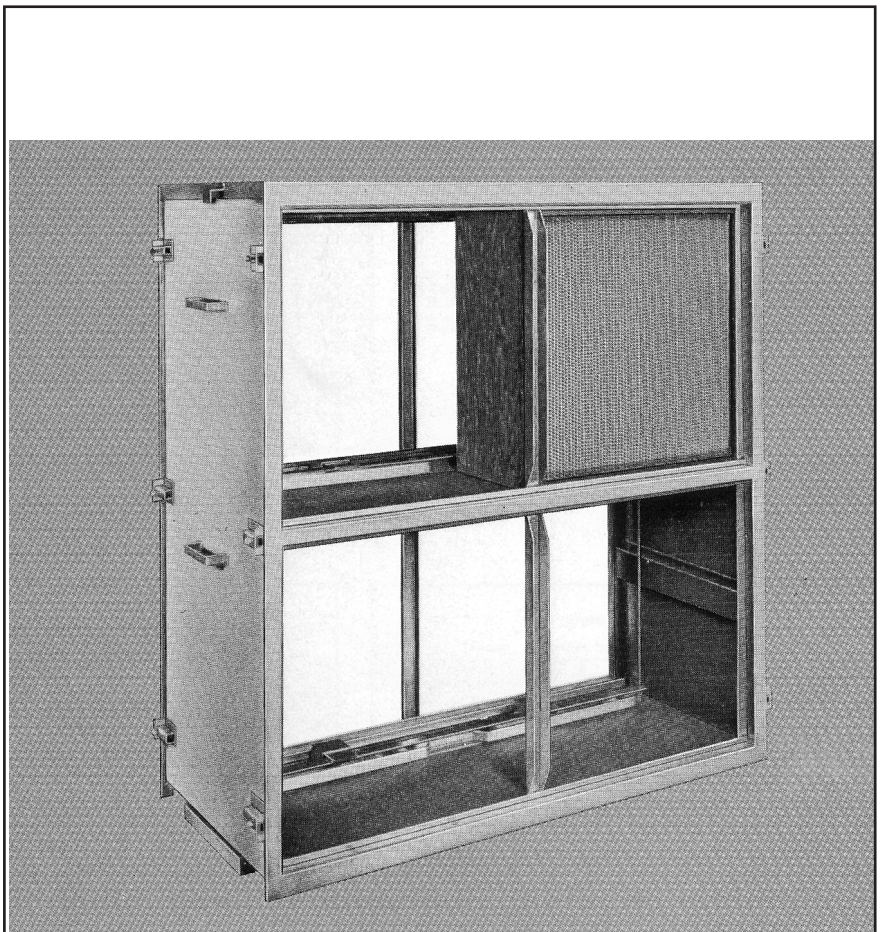


# Installation and Operation Manual

## Ultra-Lok™ Safety Filter Retaining System



Throughout this manual, statements indicating precautions necessary to avoid equipment failure are referenced in a Note. Statements indicating potential hazards that could result in *personal injury* or *property damage* are referenced in a **Caution!** box.

This manual is the property of the owner. Leave with the unit when set-up and start-up are complete. Donaldson Company reserves the right to change design and specifications without prior notice.



## **Caution!**

### **Application of Dust Control Equipment**

- Combustible materials such as buffing lint, paper, wood, aluminum or steel dust, weld fume, or flammable solvents represent fire or explosion hazards. Use special care when selecting and operating all dust or fume collection equipment when combustible materials are present to protect workers and property from damage due to fire and/or explosion. Consult and comply with National and Local Codes relating to fire or explosion and all other appropriate codes when determining the location and operation of dust or fume collection equipment.
- When combustible materials are present, consult with an installer of fire extinguishing systems familiar with these types of fire hazards and local fire codes for recommendations and installation of fire extinguishing and explosion protection systems. Donaldson dust collection equipment is not equipped with fire extinguishing or explosion protection systems.
- DO NOT allow sparks, cigarettes or other burning objects to enter the hood or duct of any dust or fume control equipment as these may initiate a fire or explosion.
- For optimum collector performance, use only Donaldson replacement parts.

**Table of Contents**

Installation .....4  
     Pre-Installation .....4  
     Assembly of Standard Equipment .....4  
 Assembly of Optional Equipment .....4  
     Magnehelic®\* Gauge .....4  
     Filter Replacement .....4  
 Replacement Parts List .....5  
 Warranty .....8

\*Magnehelic is a registered trademark of Dwyer Instruments, Inc.



This manual contains specific precautionary statements relative to worker safety. Read thoroughly and comply as directed. Discuss the use and application of this equipment with a Donaldson representative. Instruct all personnel on safe use and maintenance procedures.

**Data Sheet**

Model Number _____	Serial Number _____
Ship Date _____	Installation Date _____
Customer Name _____	
Address _____	
_____	
Filter Type _____	
Accessories _____	
Other _____	

## Installation

### Pre-Installation

Plan the installation to allow a minimum of 26 inches of space on at least one side of the housing. This space will provide room for filter replacement.

### Assembly of Standard Equipment

Fasten the Ultra-Lok housing to the ductwork either by using self-drilling sheet metal screws or by drilling holes and inserting standard sheet metal screws. The screws can be installed in any location around the 1-1/2 inch perimeter of the housing. Gasketing should be added to the flange for an additional seal. Parts Drawing 1 illustrates typical ductwork design.

## Assembly of Optional Equipment

### Magnehelic Gauge

A typical hookup for the optional Magnehelic® gauge is illustrated in Figure 1. The high pressure port connects upstream of the filter and the low pressure port connects downstream of the filter, or to the ambient.

### Filter replacement

1. Remove the side access door to remove and reinstall the filters and prefilters. For initial installation the filters are shipped in a separate package to prevent damage in transit.
2. Remove the filters and prefilters by loosening the retaining mechanism and sliding them out.
3. Replace the filters and prefilters. Tighten the retaining mechanism.
4. Replace the side door and fasten securely.

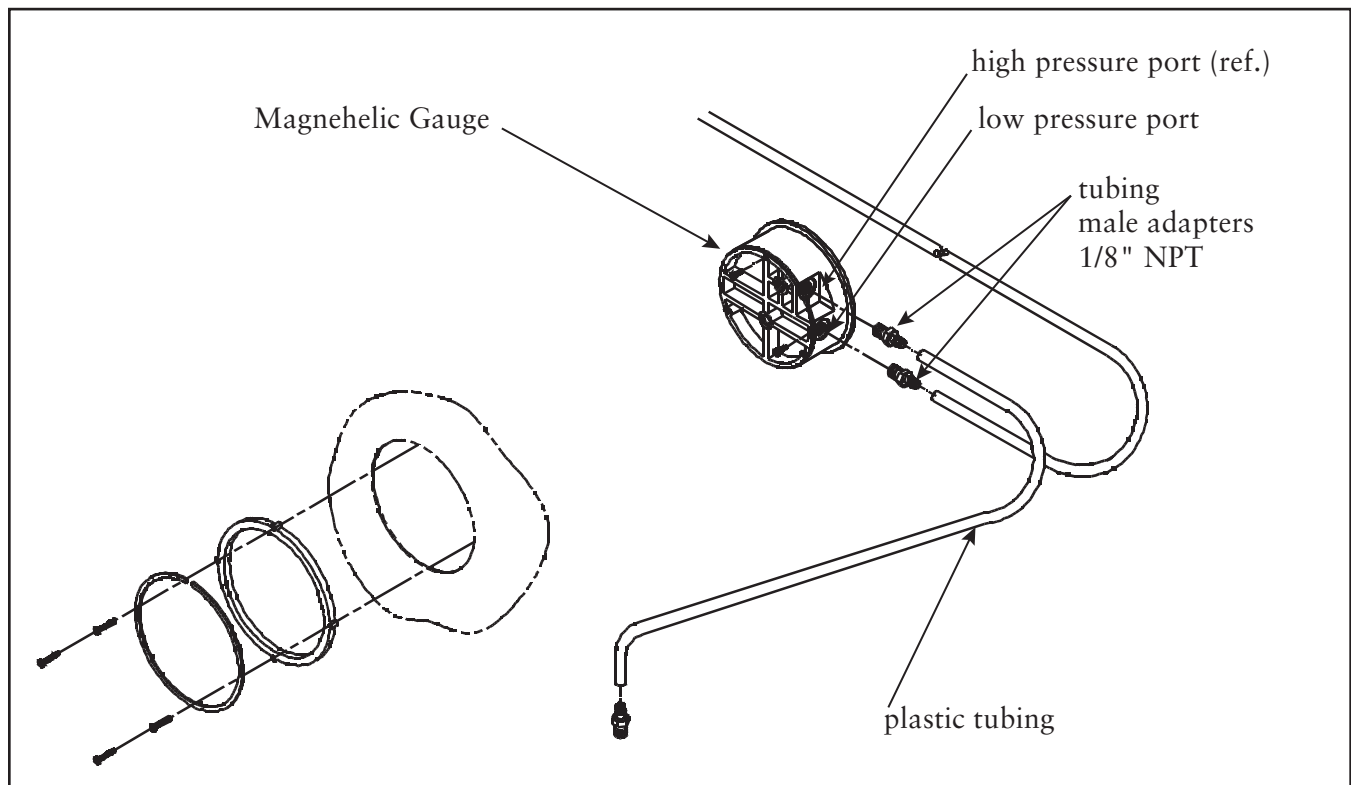
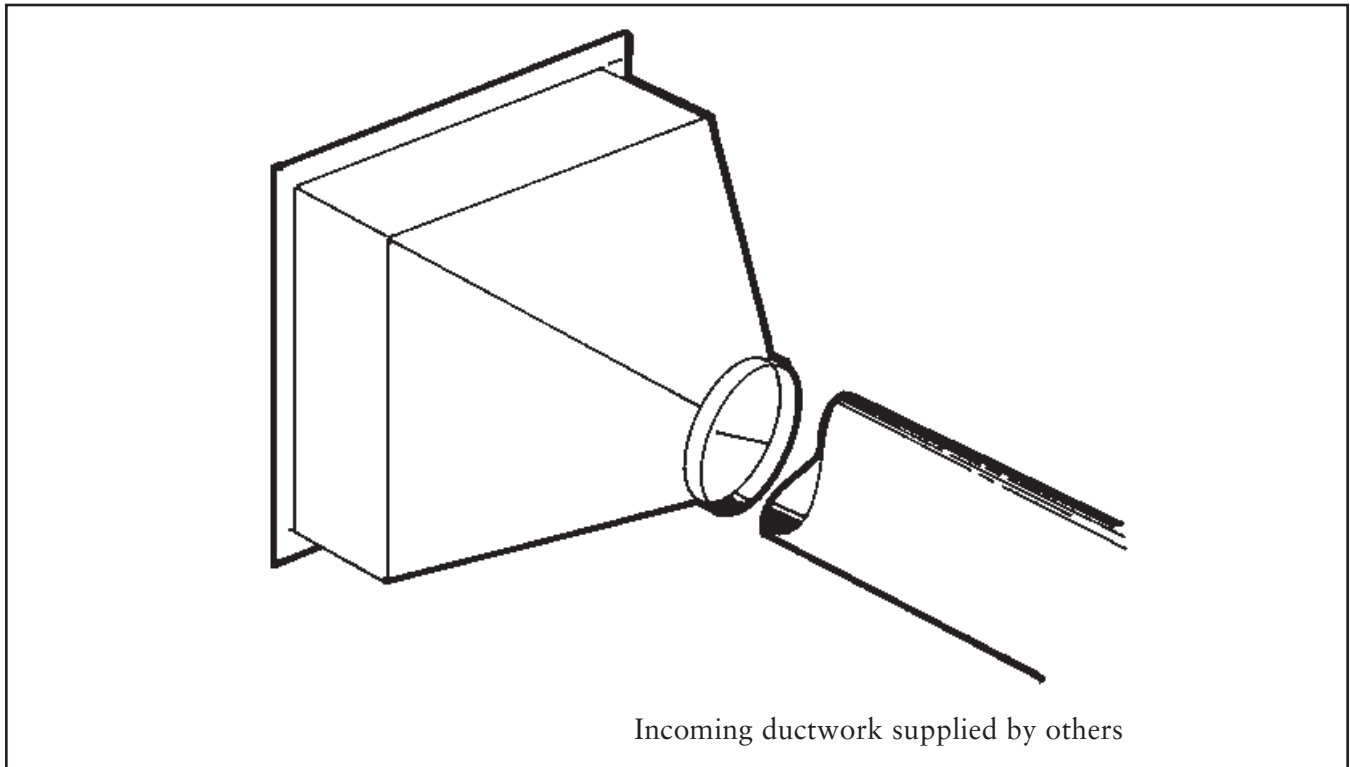


Figure 1, Magnehelic Gauge

## Replacement Parts



*Parts Drawing 1, Ductwork Transition*

Part Number	Description	Dimensions H x W x D, inches	Shipping Weight pounds
P030644	Filter <sup>(1)</sup> Assembly	24 x 24 x 11.5	21
P030625	HEPA Panel Filter <sup>(1)(2)</sup> Assembly	24 x 24 x 11.5	21
8PP 4628601	Air-O-J Pre-Filter	24 x 24 x 2	2.5
2SG 2333900	Magnehelic® Gauge (optional)	—	8

<sup>(1)</sup> Be sure to order pre-filters when ordering filters. One pre-filter is required for each filter.

<sup>(2)</sup> The Ultra-Lok ships as standard with the P030625 HEPA filter assembly.





## Limited Warranty

Donaldson® warrants to the original purchaser that the major structural components of the goods will be free from defects in materials and workmanship for ten (10) years from the date of shipment, if properly installed, maintained and operated under normal conditions. Donaldson warrants all other Donaldson built components and accessories including Donaldson Airlocks, TBI Fans, TRB Fans, Fume Collector products and Donaldson built Afterfilter housings for twelve (12) months from date of shipment. Donaldson warrants Donaldson built filter elements to be free from defects in materials and workmanship for eighteen (18) months from date of shipment. Donaldson does not warrant against damages due to corrosion, abrasion, normal wear and tear, product modification, or product misapplication. Donaldson also makes no warranty whatsoever as to any goods manufactured or supplied by others including electric motors, fans and control components. After Donaldson has been given adequate opportunity to remedy any defects in material or workmanship, Donaldson retains the sole option to accept return of the goods, with freight paid by the purchaser, and to refund the purchase price for the goods after confirming the goods are returned undamaged and in usable condition. Such a refund will be in the full extent of Donaldson's liability. Donaldson shall not be liable for any other costs, expenses or damages whether direct, indirect, special, incidental, consequential or otherwise. The terms of this warranty may be modified only by a special warranty document signed by a Director, General Manager or Vice President of Donaldson. Failure to use genuine Donaldson replacement parts may void this warranty. **THERE EXIST NO OTHER REPRESENTATIONS, WARRANTIES OR GUARANTEES EXCEPT AS STATED IN THIS PARAGRAPH AND ALL OTHER WARRANTIES INCLUDING MERCHANTABILITY AND FITNESS FOR A PARTICULAR PURPOSE, WHETHER EXPRESS OR IMPLIED ARE HEREBY EXPRESSLY EXCLUDED AND DISCLAIMED.**

## Parts and Service

For genuine Donaldson Torit replacement filters and parts, call the Parts Express Line

**800-365-1331 USA**

**800-343-3639 within Mexico**

**[www.donaldsontorit.com](http://www.donaldsontorit.com)**

For faster service, have unit's model and serial number, parts number, description, and quantity available.



**Donaldson®**  
*Filtration Solutions*

Donaldson Company, Inc.  
Industrial Air Filtration  
P.O. Box 1299  
Minneapolis, MN 55440-1299  
[dustmktg@mail.donaldson.com](mailto:dustmktg@mail.donaldson.com)

Donaldson Company, Inc. is the leading designer and manufacturer of dust, mist, and fume collection equipment used to control industrial air pollutants. Our equipment is designed to help reduce occupational hazard, lengthen machine life, reduce in-plant maintenance requirements, and improve product quality.