

# ECONOMICAL BLASTCLEANING RANGE



# FAST • CLEAN • PRO

The Fox machines have been developed to complete the full range of industrial blast cabinets we manufacture. This economical range is accessible to all sectors of industry due to its affordability. The FOX 25 and FOX 50 blast cabinets are very advanced in their design and can boast a number of excellent design features including integral dust extraction and foot pedal control.

## Suction method

The cabinet operates by sucking blast media from the hopper of the cabinet via a pickup pipe connected to the blast-gun. The media is picked up by a fast moving air-stream inside the blast-gun and forced out of the blast nozzle.

## Pressure method

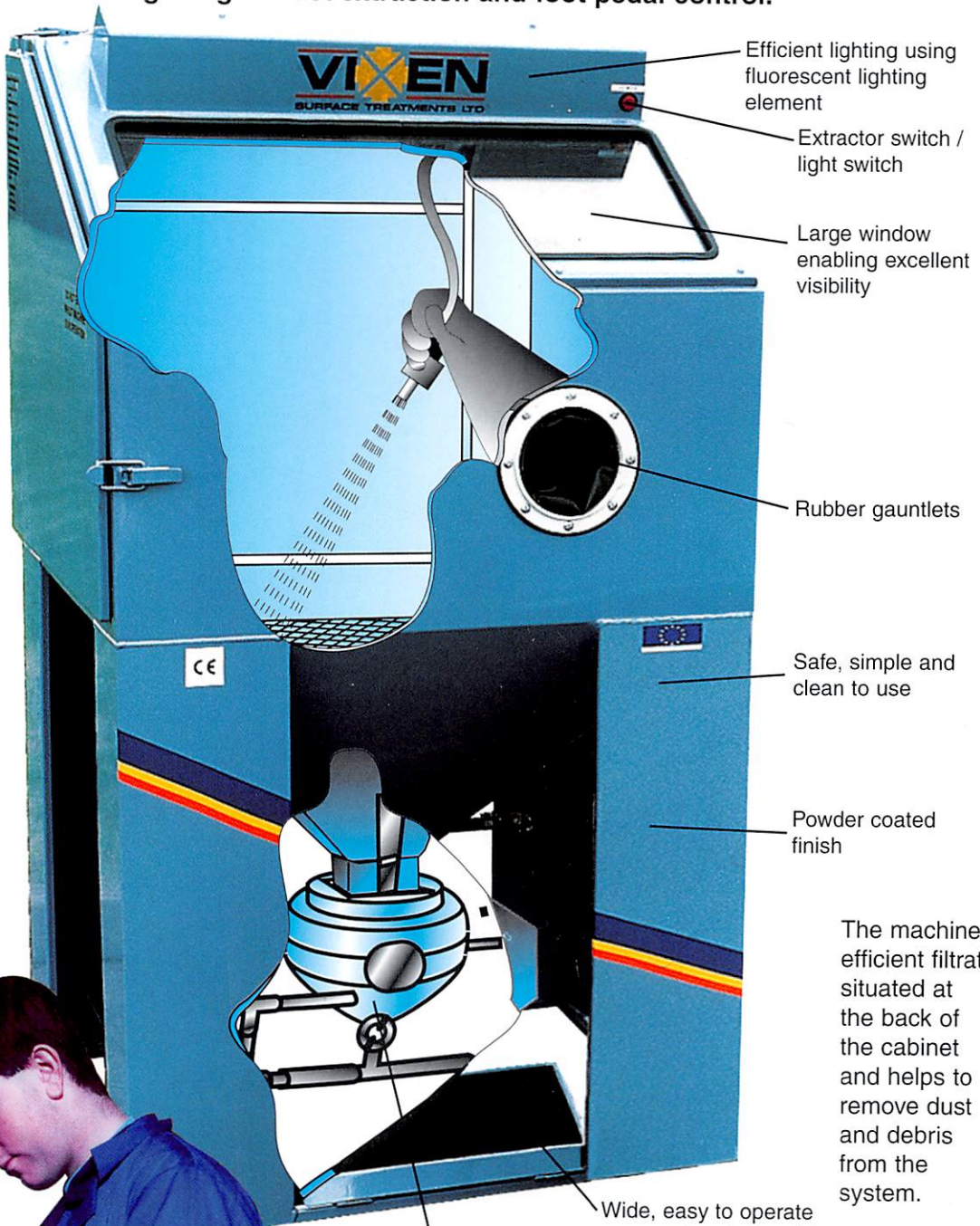
The media is stored in a pressure vessel rather than the hopper. When the foot is depressed, the vessel is pressurised and the media is forced up to the blast gun via a media mixture control valve and a heavy duty blast hose.

## Spares and consumables

Spares and consumables are available from stock and are despatched on a next day delivery service.

## Specification

All Jetair and Fox machines can be custom-built depending on your requirements.



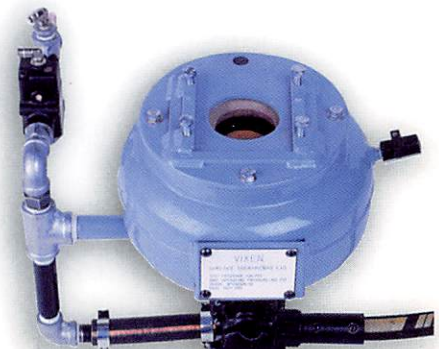
The machine is efficient filtration situated at the back of the cabinet and helps to remove dust and debris from the system.

Minipot - gives easy pressure conversion (see below)

Wide, easy to operate pressure control pedal (Fox 25 and 50 only)

## Mini Pressure Pot

All VIXEN cabinets are manufactured so that they can be easily converted to a pressure operated blast system at any time. Pressure blasting can increase speed by up to 4 times that of a standard suction system and a wide range of blast media can be used.



# ACTUAL

# EFFICIENT



### Blast guns and media

All Vixen machines can be supplied with various types of blast nozzles. Tungsten carbide nozzles are fitted as standard. Heavy-duty Boron carbide nozzles are recommended when the machine is used heavily.

### Media

Vast range of media to choose from. Whatever your cleaning application we have blast media to suit. (See our separate brochure)



is fitted with a very  
n unit. The filter bag is



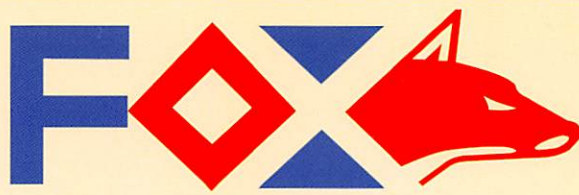
Extraction can be adjusted  
depending on what type of  
media is being used i.e. how  
abrasive the media being  
used is.



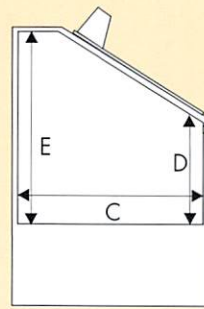
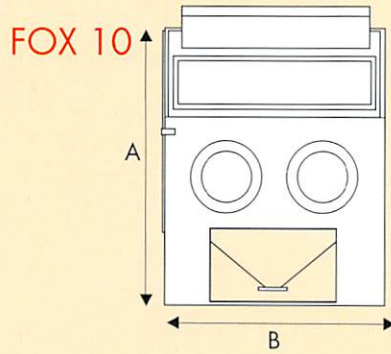
## Features and benefits of the FOX range

- Fluorescent lighting ensures excellent visibility
- Foot operated blast gun with tungsten carbide nozzle (Hand trigger on Fox 10)
- Integral extraction eliminates trunking. (not applicable to Fox 10)
- External lighting gives excellent visibility inside the chamber
- Media door release gives extremely fast media change resulting in minimum downtime
- Large side door entry allows easy loading of large components.
- Easy to operate pressure control pedal.
- Media filtration to prevent blockages
- Multi pocket filter element fitted to integral dust collectors
- Machines are electro-statically powder coated and are baked at 250 degrees centigrade to give a hard durable finish for maximum life.

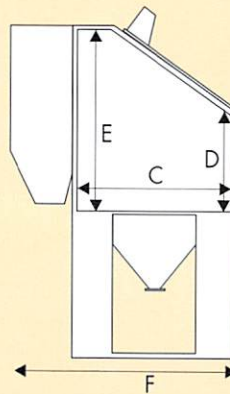
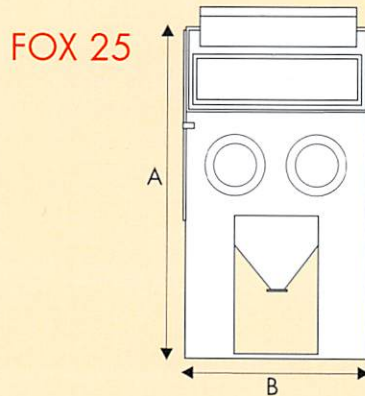




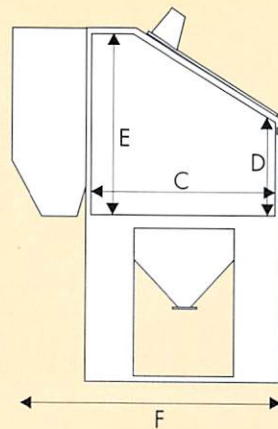
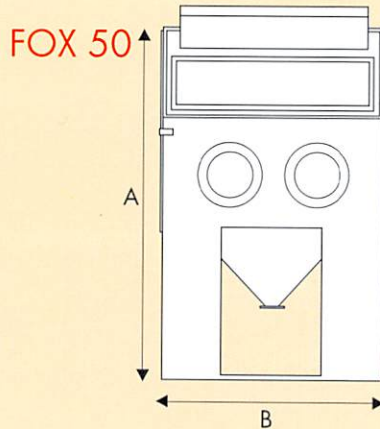
# Dimensions



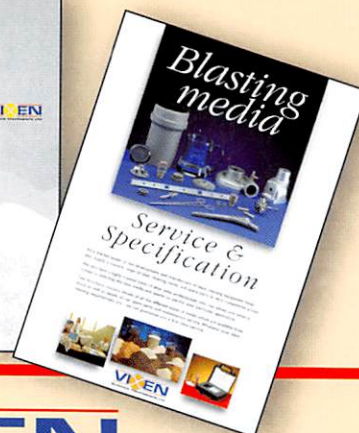
DIMENSIONS	
<b>FOX 10</b>	
A	820
B	770
C	540
D	300
E	520



DIMENSIONS	
<b>FOX 25</b>	
A	1680
B	815
C	610
D	460
E	760
F	915



DIMENSIONS	
<b>FOX 50</b>	
A	1680
B	915
C	760
D	455
E	770
F	1070



For further details or a free on site demonstration:-

**TEL: +44 (0)1642 769333 FAX: 769441 (8 LINES)**

73, JAY AVENUE, TEESIDE INDUSTRIAL ESTATE, THORNABY, STOCKTON ON TEES TS17 9LZ.

E-mail: [info@vixen.co.uk](mailto:info@vixen.co.uk)

Visit our WEB SITE: <http://www.vixen.co.uk>